

THREE COURSE PLATED DINNER: WRIGHT'S FLYING MACHINE

Trademark plated dinners have a fixed price, they include dessert and a choice of appetizer and entrée and are accompanied by freshly brewed regular and decaffeinated Starbucks® coffee and a selection of hot Tazo® teas

FIRST COURSE
CHOICE OF

RICH OLD FASHIONED TOMATO SOUP

Basil, greek yogurt

CLASSIC CAESAR SALAD

Shaved parmesan, toasted croutons

MAIN COURSE
CHOICE OF

GREEN TEA SALMON*

Sweet potatoes, wild mushroom, baby spinach

ANCHO & ROOT BEER CAN CHICKEN

Ancho smoked pepper and A&W® root beer can chicken, mashed potatoes, sautéed kale, tomato chimichurri

VEGAN MUSHROOM RAVIOLI

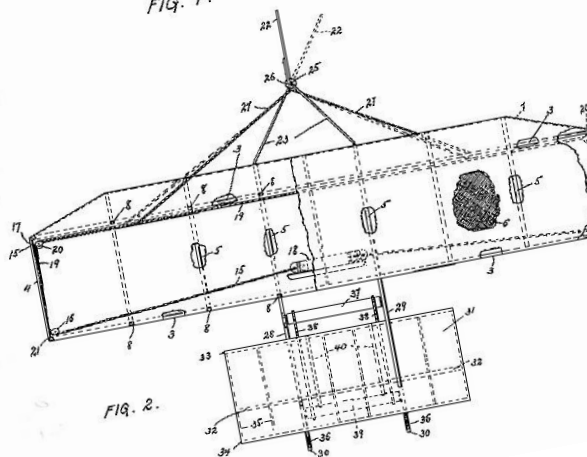
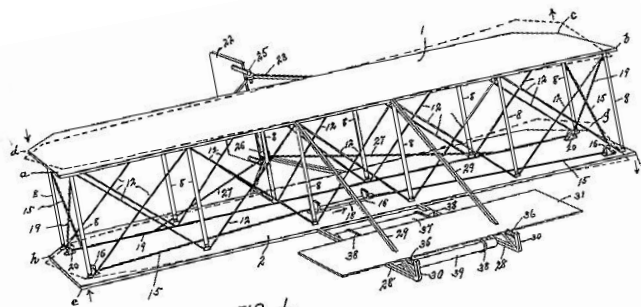
Roasted eggplant and tomato sauce, sautéed kale

TO FINISH

MOLTEN CHOCOLATE CAKE

Moist chocolate cake with a heart of creamy rich chocolate, topped with vanilla ice cream

\$47^{PP}



REVISED: NOV 2018

ALEXANDRIA



TRADEMARK

• DRINK AND EAT •

VIRGINIA

Trademark yourself

Add additional choices or courses
Prices listed per person

SHARERS TO START

Add a sharable appetizer course to precede your meal +\$14pp

CHOOSE THREE:

TRIO OF TRADEMARK GRILLED WINGS

TUNA POPS

WARM PRETZEL BITES

BACON CANDY

BUFFALO CHICKEN POTSTICKERS

ANCHO ROASTED CHICKEN NACHOS

CHEESE COLLECTION

Add a sharable cheese collection
To precede or to finish your meal
\$12 | Or just \$7 if replacing dessert



WWW.TRADEMARKDRINKANDEAT.COM

THREE COURSE PLATED DINNER: BELL'S TELEGRAPH

Trademark plated dinners have a fixed price, they include dessert and a choice of appetizer and entrée and are accompanied by freshly brewed regular and decaffeinated Starbucks® coffee and a selection of hot Tazo® teas

FIRST COURSE
CHOICE OF

CONFETTI OF FIELD GREENS

Shaved fennel, mint, basil, champagne vinaigrette

MUSSELS DIABLO

PEI Mussels, andouille sausage, banana pepper, tomato, grilled baguette

Main course
CHOICE OF

GREEN TEA SALMON*

Sweet potatoes, wild mushroom, baby spinach

DRUNKEN PORK CHOP

10oz Pork Chop marinated in a featured local beer and seasonings, grilled to order with cheddar leek mashed potato, tri-colour carrots, crispy beer battered onions

STEAK & FRIES*

Grilled 10oz New York strip, thick cut fries, compound butter, grilled tomato and blue cheese, crispy onions

VEGAN MUSHROOM RAVIOLI

Roasted eggplant and tomato sauce, sautéed kale

To finish

STICKY TOFFEE PUDDING

Moist cake made with fresh dates, espresso and vanilla.
Finished with buttery toffee sauce with pecans,
bourbon maple ice cream

\$53^{PP}

REVISED: NOV 2018

ALEXANDRIA



TRADEMARK

- DRINK AND EAT -

VIRGINIA

Trademark yourself

Add additional choices or courses
Prices listed per person

SHARERS TO START

Add a sharable appetizer course to precede your meal +\$14pp

CHOOSE THREE:

- TRIO OF TRADEMARK GRILLED WINGS
- TUNA POPS
- WARM PRETZEL BITES
- BACON CANDY
- BUFFALO CHICKEN POTSTICKERS
- ANCHO ROASTED CHICKEN NACHOS

CHEESE COLLECTION

Add a sharable cheese collection
To precede or to finish your meal
\$12 | Or just \$7 if replacing dessert

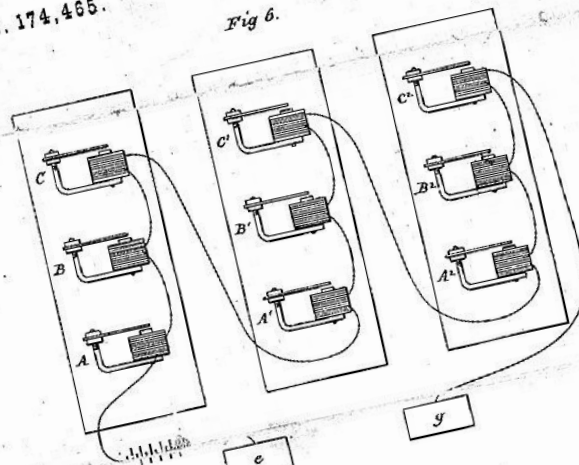
No. 174,465.

A. G. BELL.
TELEGRAPHY.

Patented March 7, 1876.

2 Sheets—Sheet 2.

Fig 6.



WWW.TRADEMARKDRINKANDEAT.COM

FOUR COURSE PLATED DINNER: LINCOLN'S BELLOWS

Trademark plated dinners have a fixed price, they include dessert and a choice of appetizer and entrée and are accompanied by freshly brewed regular and decaffeinated Starbucks® coffee and a selection of hot Tazo® teas

TO START

MUSHROOM BRIE BISQUE

Caramelized goat cheese crostini

SECOND COURSE
CHOICE OF

CONFETTI OF FIELD GREENS

Shaved fennel, mint, basil, champagne vinaigrette

MUSSELS DIABLO

PEI Mussels, andouille sausage, pepper, tomato, grilled baguette

MAIN COURSE
CHOICE OF

DRUNKEN PORK CHOP

10oz Pork Chop marinated in a featured local beer and seasonings, grilled to order with cheddar leek mashed potato, tri-colour carrots, crispy beer battered onions

GREEN TEA SALMON*

Sweet potatoes, wild mushroom, baby spinach

STEAK & FRIES*

Grilled 10oz New York strip, thick cut fries, compound butter, grilled tomato and blue cheese, crispy onions

VEGAN MUSHROOM RAVIOLI

Roasted eggplant and tomato sauce, sautéed kale

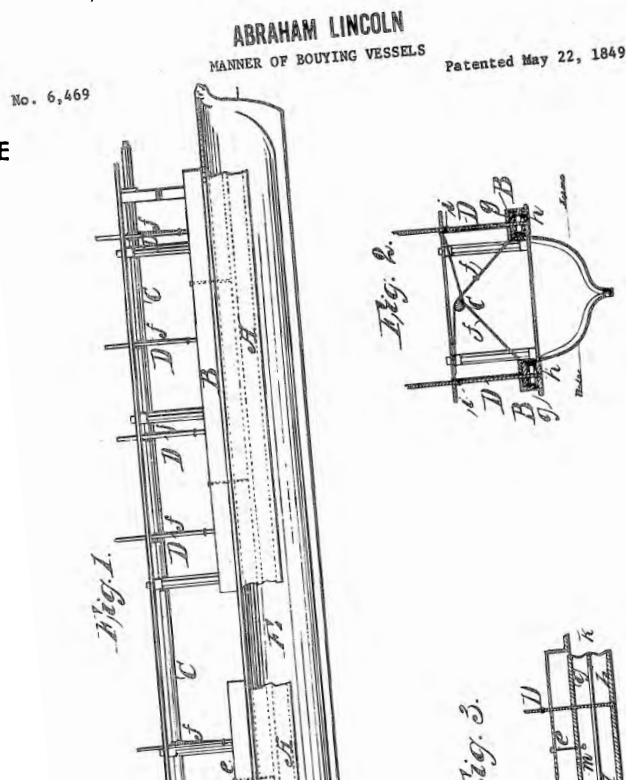
TO FINISH

ESPRESSO & ALMOND CAKE

Mocha drizzle

\$68PP

REVISED: NOV 2018



ALEXANDRIA



TRADEMARK

• DRINK AND EAT •

VIRGINIA

Trademark yourself

Add additional choices or courses
Prices listed per person

SHARERS TO START

Add a sharable appetizer course to precede your meal +\$14pp

CHOOSE THREE:

- TRIO OF TRADEMARK GRILLED WINGS
- TUNA POPS
- WARM PRETZEL BITES
- BACON CANDY
- BUFFALO CHICKEN POTSTICKERS
- ANCHO ROASTED CHICKEN NACHOS

SUBSTITUTE MAIN COURSE SELECTION

substitute steak & fries with:

FILET OF BEEF AND CRAB CAKE* +\$9

Smashed fingerling potatoes, broccolini
red chimichurri

substitute salmon with:

PROSCIUTTO WRAPPED BLACK COD +\$6

Sweet pea risotto, broccolini, caponata

CHEESE COLLECTION

Add a sharable cheese collection

To precede or to finish your meal
\$12 | Or just \$7 if replacing dessert



WWW.TRADEMARKDRINKANDEAT.COM