

ALEXANDRIA



TRADEMARK

- DRINK AND EAT -



VIRGINIA

TWO COURSE PLATED LUNCH: EDISON'S LIGHTBULB

FIRST COURSE
CHOICE OF

RICH OLD FASHIONED TOMATO SOUP

Basil, greek yogurt

CONFETTI OF FIELD GREENS

Shaved fennel, mint, basil, champagne vinaigrette

MAIN COURSE
CHOICE OF

CRABCAKE CAESAR

Baby kale and romaine, parmesan cheese, corn, tomatoes, Old Bay Caesar dressing, topped with seared crab cake

TRADEMARK CLASSIC BURGER* ++

Fire grilled 8oz short rib, brisket, chuck blend burger,

Lettuce, tomato + onion

Choice of cheese: cheddar, provolone, swiss, gorgonzola

Thin cut fries with herbed Maldon® sea salt

MELTED BRIE + PEAR SANDWICH

Cranberry walnut bread, arugula, fig preserves

TRADEMARK CHOPPED SALAD

w/ Ancho A&W® Root Beer Can Chicken

Chopped romaine, tomatoes, egg, sweet corn, cheddar cheese,

black eyed peas, cucumber, pulled beer can chicken, tarragon ranch dressing

\$28PP

Trademark yourself

Add additional choices or courses

Prices listed per person

SHARERS TO START

Add a sharable appetizer course to precede your meal +\$14pp

CHOOSE THREE:

CHIPOTLE ROASTED CHICKEN NACHOS

BUFFALO CHICKEN POTSTICKERS

WARM PRETZEL BITES

"MAC"+CHEESE

BACON CANDY

TRADEMARK GRILLED SPICED WINGS

DESSERT

Add a sharable dessert platter +\$6pp

TWO PIECES PER PERSON

CHOOSE ONE:

FRESHLY BAKED COOKIE COLLECTION

Chocolate chip, oatmeal raisin

white chocolate macadamia nut

CHOCOLATE BROWNIE + BLONDIES

Chocolate and caramel drizzled brownies,

and chocolate chip blondies



WWW.TRADEMARKDRINKANDEAT.COM

* May contain raw or undercooked ingredients. Consuming raw or undercooked meat, fish, shellfish or eggs can increase your risk of foodborne illness
++ These items are offered to be served "pink" or "no pink"

ALEXANDRIA



TRADEMARK

- DRINK AND EAT -



VIRGINIA

THREE COURSE PLATED LUNCH: WHITNEY'S COTTON GIN

FIRST COURSE
CHOICE OF

RICH OLD FASHIONED TOMATO SOUP

Basil, greek yogurt

CONFETTI OF FIELD GREENS

Shaved fennel, mint, basil, champagne vinaigrette

MAIN COURSE
CHOICE OF

ASIAN BBQ SEARED TUNA*

Asian barbeque seasoned yellowfin tuna seared rare, chopped romaine, fennel, bell pepper, green onion, wasabi soy vinaigrette

THREE LITTLE PIGS

Roast pork, dry cured ham + bacon candy infused caramelized onions, mustard and muenster cheese, pressed ciabatta

MELTED BRIE + PEAR SANDWICH

Cranberry walnut bread, arugula, fig preserves

TRADEMARK CHOPPED SALAD

w/ Ancho A&W® Root Beer Can Chicken

Chopped romaine, tomatoes, egg, sweet corn, cheddar cheese, black eyed peas, cucumber, pulled beer can chicken, tarragon ranch dressing

DESSERT

MOLTEN CHOCOLATE CAKE

Moist chocolate cake with a heart of creamy rich chocolate, topped with vanilla ice cream

\$38^{PP}

Trademark yourself

Add additional choices or courses

Prices listed per person

SHARERS TO START

Add a sharable appetizer course to precede your meal +\$14pp

CHOOSE THREE:

CHIPOTLE ROASTED CHICKEN NACHOS

BUFFALO CHICKEN POTSTICKERS

WARM PRETZEL BITES

"MAC"+CHEESE

BACON CANDY

TRADEMARK GRILLED SPICED WINGS

DESSERT

Substitute a sharable dessert platter -\$4pp

TWO PIECES PER PERSON

CHOOSE ONE:

FRESHLY BAKED COOKIE COLLECTION

Chocolate chip, oatmeal raisin

white chocolate macadamia nut

CHOCOLATE BROWNIE + BLONDIES

Chocolate and caramel drizzled brownies,

and chocolate chip blondies



WWW.TRADEMARKDRINKANDEAT.COM

* May contain raw or undercooked ingredients. Consuming raw or undercooked meat, fish, shellfish or eggs can increase your risk of foodborne illness
** These items are offered to be served "pink" or "no pink"

ALEXANDRIA



TRADEMARK

- DRINK AND EAT -

VIRGINIA

THREE COURSE PLATED LUNCH: GW CARVER'S POMADE

FIRST COURSE
CHOICE OF

RICH OLD FASHIONED TOMATO SOUP

Basil, greek yogurt

CLASSIC CAESAR SALAD

Shaved parmesan, toasted croutons

MAIN COURSE
CHOICE OF

GREEN TEA SALMON*

Sweet potatoes, wild mushroom, baby spinach

NEW YORK STRIP STEAK**

Grilled 10oz strip steak, served with our herbed thin cut fries, compound butter, crispy onions

CRABCAKE CAESAR

Baby kale and romaine, parmesan cheese, corn, tomatoes, Old Bay Caesar dressing, topped with seared crab cake

TRADEMARK CHOPPED SALAD

Chopped romaine, tomatoes, egg, sweet corn, cheddar cheese, black eyed peas, cucumber, pulled beer can chicken, tarragon ranch dressing

DESSERT

PEANUT BUTTER CHEESECAKE

Whipped cream, strawberry drizzle

\$49pp

Trademark yourself

Add additional choices or courses

Prices listed per person

SHARERS TO START

Add a sharable appetizer course to precede your meal -- \$14pp

CHOOSE THREE:

CHIPOTLE ROASTED CHICKEN NACHOS
BUFFALO CHICKEN POTSTICKERS
WARM PRETZEL BITES

"MAC"+CHEESE
BACON CANDY
TRADEMARK GRILLED SPICED WINGS

DESSERT

Substitute a sharable dessert platter -\$4pp

TWO PIECES PER PERSON

CHOOSE ONE:

FRESHLY BAKED COOKIE COLLECTION
Chocolate chip, oatmeal raisin
white chocolate macadamia nut

MINI DESSERT SELECTION
Mini pastries and desserts



WWW.TRADEMARKDRINKANDEAT.COM

* May contain raw or undercooked ingredients. Consuming raw or undercooked meat, fish, shellfish or eggs can increase your risk of foodborne illness
** These items are offered to be served "pink" or "no pink"

REVISED: NOV 2018

THREE COURSE PLATED DINNER: WRIGHT'S FLYING MACHINE

Trademark plated dinners have a fixed price, they include dessert and a choice of appetizer and entrée and are accompanied by freshly brewed regular and decaffeinated Starbucks® coffee and a selection of hot Tazo® teas

FIRST COURSE
CHOICE OF

RICH OLD FASHIONED TOMATO SOUP

Basil, greek yogurt

CLASSIC CAESAR SALAD

Shaved parmesan, toasted croutons

MAIN COURSE
CHOICE OF

GREEN TEA SALMON*

Sweet potatoes, wild mushroom, baby spinach

ANCHO & ROOT BEER CAN CHICKEN

Ancho smoked pepper and A&W® root beer can chicken, mashed potatoes, sautéed kale, tomato chimichurri

VEGAN MUSHROOM RAVIOLI

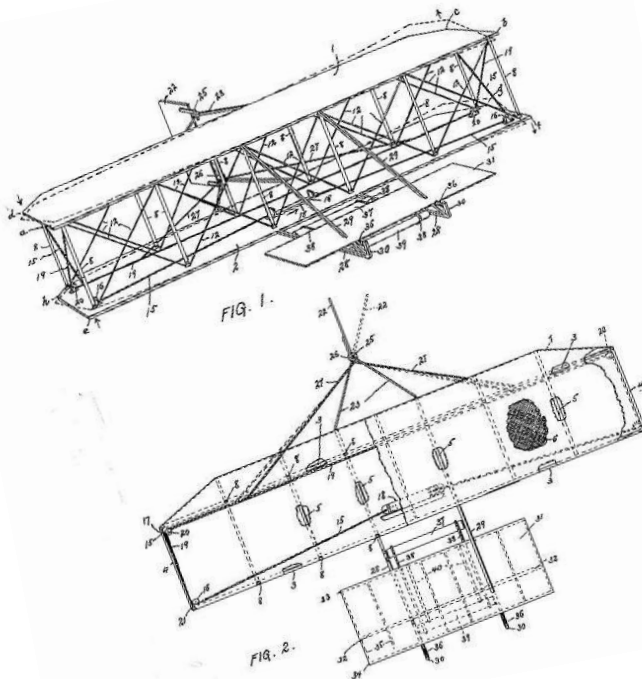
Roasted eggplant and tomato sauce, sautéed kale

TO FINISH

MOLTEN CHOCOLATE CAKE

Moist chocolate cake with a heart of creamy rich chocolate, topped with vanilla ice cream

\$47^{PP}



REVISED: NOV 2018

ALEXANDRIA



TRADEMARK

• DRINK AND EAT •

VIRGINIA

Trademark yourself

Add additional choices or courses
Prices listed per person

SHARERS TO START

Add a sharable appetizer course to precede your meal +\$14pp

CHOOSE THREE:

TRIO OF TRADEMARK GRILLED WINGS

TUNA POPS

WARM PRETZEL BITES

BACON CANDY

BUFFALO CHICKEN POTSTICKERS

ANCHO ROASTED CHICKEN NACHOS

CHEESE COLLECTION

Add a sharable cheese collection
To precede or to finish your meal
\$12 | Or just \$7 if replacing dessert



WWW.TRADEMARKDRINKANDEAT.COM

THREE COURSE PLATED DINNER: BELL'S TELEGRAPH

Trademark plated dinners have a fixed price, they include dessert and a choice of appetizer and entrée and are accompanied by freshly brewed regular and decaffeinated Starbucks® coffee and a selection of hot Tazo® teas

FIRST COURSE
CHOICE OF

CONFETTI OF FIELD GREENS

Shaved fennel, mint, basil, champagne vinaigrette

MUSSELS DIABLO

PEI Mussels, andouille sausage, banana pepper, tomato, grilled baguette

Main course
CHOICE OF

GREEN TEA SALMON*

Sweet potatoes, wild mushroom, baby spinach

DRUNKEN PORK CHOP

10oz Pork Chop marinated in a featured local beer and seasonings, grilled to order with cheddar leek mashed potato, tri-colour carrots, crispy beer battered onions

STEAK & FRIES*

Grilled 10oz New York strip, thick cut fries, compound butter, grilled tomato and blue cheese, crispy onions

VEGAN MUSHROOM RAVIOLI

Roasted eggplant and tomato sauce, sautéed kale

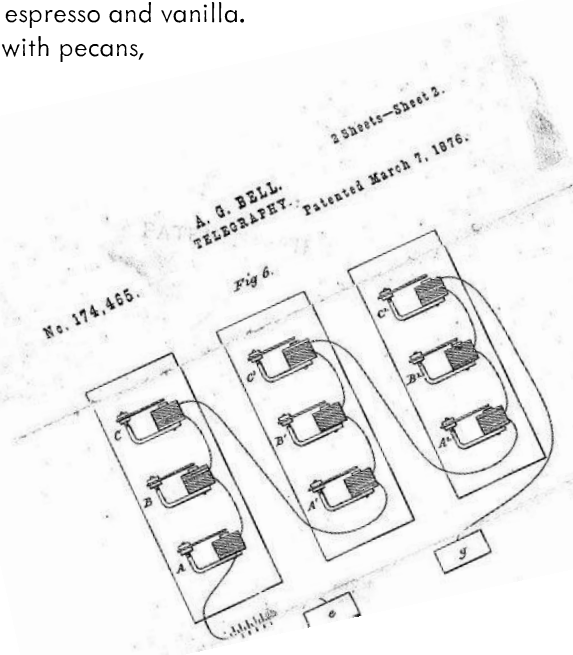
To finish

STICKY TOFFEE PUDDING

Moist cake made with fresh dates, espresso and vanilla.
Finished with buttery toffee sauce with pecans,
bourbon maple ice cream

\$53^{PP}

REVISED: NOV 2018



ALEXANDRIA

• • •



TRADEMARK

• DRINK AND EAT •

• • •

VIRGINIA

Trademark yourself

Add additional choices or courses
Prices listed per person

SHARERS TO START

Add a sharable appetizer course to precede your meal +\$14pp

CHOOSE THREE:

- TRIO OF TRADEMARK GRILLED WINGS
- TUNA POPS
- WARM PRETZEL BITES
- BACON CANDY
- BUFFALO CHICKEN POTSTICKERS
- ANCHO ROASTED CHICKEN NACHOS

CHEESE COLLECTION

Add a sharable cheese collection
To precede or to finish your meal
\$12 | Or just \$7 if replacing dessert



WWW.TRADEMARKDRINKANDEAT.COM

FOUR COURSE PLATED DINNER: LINCOLN'S BELLOWS

Trademark plated dinners have a fixed price, they include dessert and a choice of appetizer and entrée and are accompanied by freshly brewed regular and decaffeinated Starbucks® coffee and a selection of hot Tazo® teas

TO START

MUSHROOM BRIE BISQUE

Caramelized goat cheese crostini

SECOND COURSE CHOICE OF

CONFETTI OF FIELD GREENS

Shaved fennel, mint, basil, champagne vinaigrette

MUSSELS DIABLO

PEI Mussels, andouille sausage, pepper, tomato, grilled baguette

MAIN COURSE CHOICE OF

DRUNKEN PORK CHOP

10oz Pork Chop marinated in a featured local beer and seasonings, grilled to order with cheddar leek mashed potato, tri-colour carrots, crispy beer battered onions

GREEN TEA SALMON*

Sweet potatoes, wild mushroom, baby spinach

STEAK & FRIES*

Grilled 10oz New York strip, thick cut fries, compound butter, grilled tomato and blue cheese, crispy onions

VEGAN MUSHROOM RAVIOLI

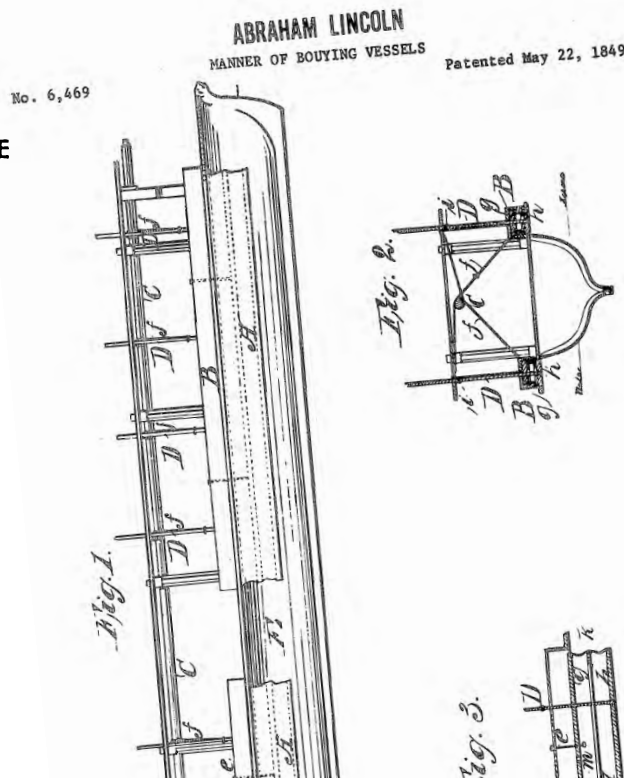
Roasted eggplant and tomato sauce, sautéed kale

TO FINISH

ESPRESSO & ALMOND CAKE

Mocha drizzle

\$68PP



REVISED: NOV 2018

ALEXANDRIA



TRADEMARK

• DRINK AND EAT •

VIRGINIA

Trademark yourself

Add additional choices or courses
Prices listed per person

SHARERS TO START

Add a sharable appetizer course to precede your meal +\$14pp

CHOOSE THREE:

- TRIO OF TRADEMARK GRILLED WINGS
- TUNA POPS
- WARM PRETZEL BITES
- BACON CANDY
- BUFFALO CHICKEN POTSTICKERS
- ANCHO ROASTED CHICKEN NACHOS

SUBSTITUTE MAIN COURSE SELECTION

substitute steak & fries with:

FILET OF BEEF AND CRAB CAKE* +\$9

Smashed fingerling potatoes, broccolini red chimichurri

substitute salmon with:

PROSCIUTTO WRAPPED BLACK COD +\$6

Sweet pea risotto, broccolini, caponata

CHEESE COLLECTION

Add a sharable cheese collection

To precede or to finish your meal

\$12 | Or just \$7 if replacing dessert



WWW.TRADEMARKDRINKANDEAT.COM