

ALEXANDRIA

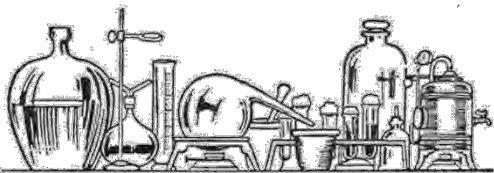


**TRADEMARK**  
- DRINK AND EAT -

VIRGINIA

THE  
**EXPERIMENT**  
RECEPTION  
\$40

Influenced by the great innovators and inventors of the past, our Trademark Experiment Reception offers an inventive way to unwind and inspire



WWW.TRADEMARKDRINKANDEAT.COM

## MOLECULAR SALAD SELECTION

CHOOSE ONE

### PROSCIUTTO PROJECT

Layered drunken goat cheese, pear and prosciutto, fig molasses, passionfruit pearls

### THE CAPRESE CONDITION

Mozzarella pearls, baby tomato, molecular balsamic and basil gastronomique

### BACON + SCALLOP

Bacon wrapped scallop, pomegranate molasses, maple "caviar"

### CAESAR'S MOLECULE

Romaine, frisee, truffle pecorino, tomato crisp, micro crouton

## THE DIM SUM PROJECT

An action station with an experimental twist -- Pick your choice of traditional Dim Sum, and have it joined by our selection of Trademark experimental Dim Sum and Pho Beakers

### TRADEMARK EXPERIMENT DIM SUM

Buffalo Chicken Potstickers with Blue Cheese Dip

Philly Cheesesteak Dumplings with Whisky Aged Soy Tomato Ketchup

**PHO EXPERIMENT** Duck Pho in a beaker, with selection of condiments to customize to your liking

### TRADITIONAL DIM SUM

CHOOSE TWO

Pork and Shrimp Dumpling

Chicken Siu Mai

Vegetable Siu Mai

Char Su Bao Pork Buns

## TRADEMARK SIGNATURE BITES

CHOOSE TWO

**BACON CANDY** | Sweet, smoky and slightly spicy

**REUBEN BITES** | Corn beef, swiss cheese, sauerkraut

**BIG BAG OF PRETZEL BITES\*** | Maple mustard, chipotle cheese dip

**VEGETABLE SAMOSA** | Mango chutney

**CUBAN DOG** | Cubano twist on frank in blanket

**CHIPOTLE SEARED TUNA** | Cucumber and lime salad

\$40 Per Person

Base Package includes: 1 selection of molecular salad, the dim sum experiment, 2 selections of trademark signature bites. It is designed for one hour service and provides at least one piece per person of every item selected. Due to the nature of the event, a minimum of 25 people is required, with a maximum of 50. Groups of 15 people can be accommodated as long as they reach the F&B minimum of \$1200

# THE EXPERIMENT

## RECEPTION

-- ENHANCEMENTS --



### ENJOY AN HOSTED BAR

Our hosted bar offers your guests select draft, domestic and import bottled beers, familiar brand liquors and house wines by the glass

ONE HOUR HOSTED BAR \$20<sup>PP</sup> | SECOND HOUR +\$16<sup>PP</sup> | THIRD HOUR & EACH ADDITIONAL +\$13<sup>PP</sup>

### ADD DESSERT

DESSERT EXPERIMENT TABLE \$14<sup>PP</sup>

Selection of desserts with an experimental twist

OR....

## THE MIRACLE BERRY EXPERIMENT!

This great interactive science experiment offers your guests an opportunity to experience something different and fun.



The miracle berry is 100% natural and safe, and afterwards your guests will experience a new sense of sweetness where lemons will taste like lemonade and strawberries taste beyond your wildest dreams. The Miracle Berry Experiment is a fun way to give your guests the sweet ending they'll be talking about for months!

+ \$10<sup>PP</sup> TO YOUR PACKAGE



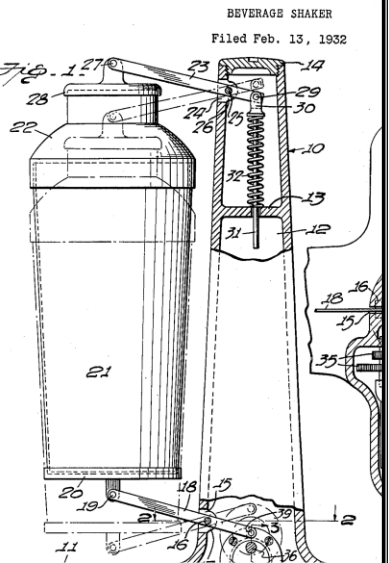
## -- DRINK ENHANCEMENTS --

### TRADEMARK COCKTAIL LAB AN INTERACTIVE EXPERIENCE IN CRAFTING COCKTAILS

Our mixologist will give you an introduction to some tricks of the trade then it'll be your turn to create a crafted cocktail.

Available as either class style or team building competition.

ALSO AVAILABLE NON-ALCOHOLIC AS THE SUPERJUICE MIXOLOGY LAB



+ \$25<sup>PP</sup> TO YOUR PACKAGE

### THE MANHATTAN PROJECT



The Manhattan Project is another way to get creative and interactive. Choose your bourbon or rye, paired with sweet vermouth and choice of bitters and Trademark your own Manhattan. Stirred and served with a large cube or up.

+ \$15<sup>PP</sup> TO YOUR PACKAGE